

**RZR XP 1000 / XP TURBO / TURBO S
SEAT MOUNTS FOR SPARCO SEATS**

IMPORTANT: Thank you for purchasing this Cagewrx product. Please read through this entire document before proceeding with installation. If you are not confident in your mechanical skills, please seek the help of a professional to perform the installation. Check your packages immediately upon arrival to ensure that everything listed is included, and to check for damage during shipping. If anything is missing or damaged, or if you need technical assistance with any aspect of this installation, call Cagewrx at (951) 223-9118 as soon as possible. This document last updated Nov. 2022.

APPLICATIONS

These Installation Instructions apply to the following Cagewrx products:

**RZRXPSPM**

RZR XP 1000 / XP Turbo / Turbo S Seat Mounts

PARTS LIST

Please check your packages immediately upon arrival to ensure that everything listed is included, and to check for damage during shipping. If anything is missing or damaged, call Cagewrx at (951) 223-9118 as soon as possible.

1. Seat Mount Base
2. (2) Side Brackets (left & right)
3. Quick Release Bracket
4. Nylon Webbing
5. (2) Plastic Slides
6. (8) 1/4"-20 Carriage Bolts
7. (13) 1/4"-20 Nyloc Nuts
8. (13) 1/4" SÆ Washers
9. (4) M8x20 Socket Head Cap Screws
10. (4) 5/16" SÆ Washers
11. (2) #6-32 x 5/8" Button Head Cap Screws
12. (2) #6-32 Nyloc Nuts

TOOLS NEEDED

- Ratchet
- 7/16" Socket
- Torx T27
- 6mm Hex Key
- 5/16" Socket
- 2mm Hex Key

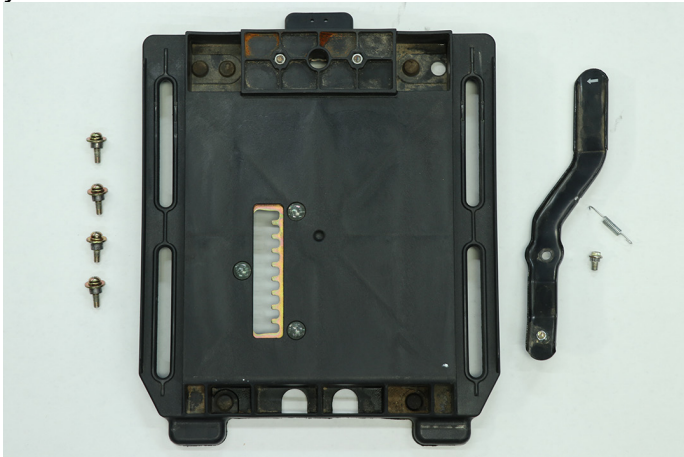
MUST UPGRADE HARNESSSES!!

You WILL NOT be able to use your stock RZR harnesses with Sparco Seats and Cagewrx Seat Mounts. You will need aftermarket harnesses with separate lap belt and shoulder straps to be able to use the quick release feature. We recommend upgrading to Sparco Camlock harnesses for added safety and proper functionality.

BEFORE YOU BEGIN

Remove the Factory Seat Base from the factory seats and take note of what items you will need to reuse below.

***Be sure not to lose the small spacers on the Torx Bolts as they are an essential part to use your sliders!!!



INSTALLATION PROCEDURE

NOTE: If you are installing these in the REAR, disregard the first 2 steps regarding the factory slider lever as the rear seat bases do not have sliders. You can skip to step 3 if you are installing these seat mounts in the REAR and ignore any photos showing the factory slider lever. Everything else will install the same.

1. Begin by installing your factory slider lever to your Cagewrx Seat Mount Base as pictured below. You will use the factory Torx bolt and one of the supplied 1/4" Flat Washers and 1/4-20 Nyloc Nuts.



2. Install the Factory Spring from the factory slider lever to the slotted hole in your Cagewrx Seat Mount Base.



3. Install your Cagewrx Seat Mount Base to your factory seat base by pulling the slider lever to the side and clicking it into place.



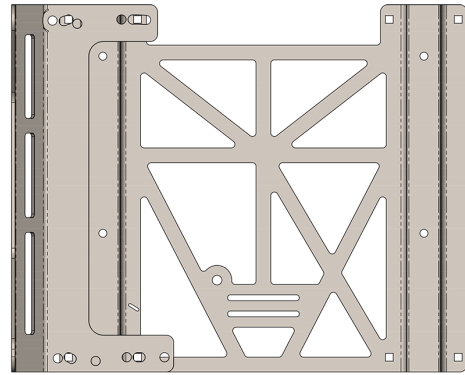
4. Secure your Seat Mount Base to your factory seat base using the (4) factory Torx Bolts with spacers, and (4) of the supplied 1/4" Flat Washers & 1/4-20 Nyloc Nuts.



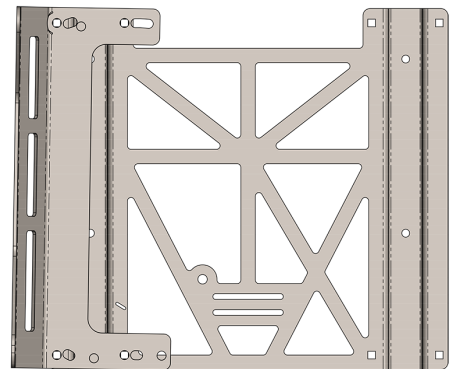
5. Tighten down all hardware securing the Seat Mount to the factory seat base. Make sure your seat base can still slide on your Cagewrx Seat Mount Base. Your assembly should look similar to the picture below thus far.



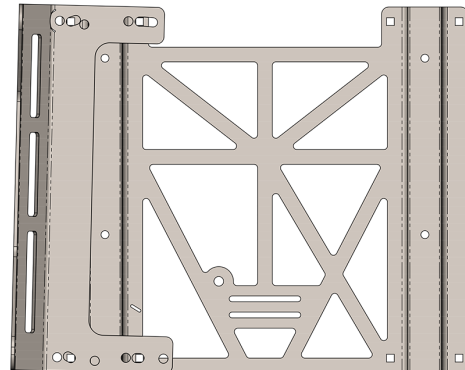
6. Refer to the following images to determine the alignment of your side brackets.



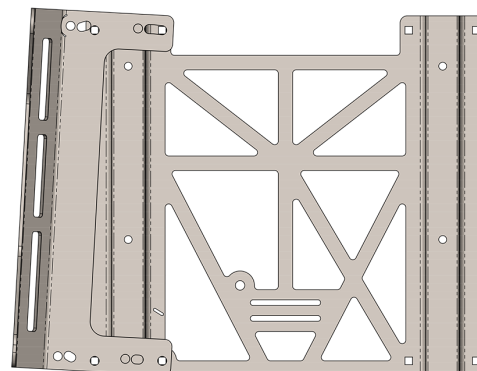
SPARCO EVO QRT-R HOLE MOUNTING LOCATION



SPARCO EVO QRT HOLE MOUNTING LOCATION



SPARCO EVO QRT L HOLE MOUNTING LOCATION



SPARCO EVO QRT XL HOLE MOUNTING LOCATION

7. Install the Side Brackets to the Seat Mount Base using (8) of the supplied 1/4-20 Carriage Bolts, 1/4" Flat Washers, and 1/4-20 Nyloc Nuts. Make sure the slotted mounting holes in the Side Brackets are facing the front of the seat base! Tighten these completely.



8. Install the Quick Release Bracket to the factory quick release tab on the factory seat base using the (2) supplied #6-32 x 5/8" Button Head Cap Screws and Nyloc Nuts.



9. Pull the supplied Nylon Webbing through one of the supplied plastic slides and create a loop before routing it back through the slide the opposite way that you routed it through the first time.



10. Tighten down the Nylon Webbing once you have the loop size that is comfortable for you. This will help you to pull the leash and remove your Sparco Seat from the RZR.



11. Slide the other end of the Nylon Webbing through the other supplied plastic slide just as you started the first one. Then slide the end of the webbing through the Quick Release Bracket.



12. Pull the webbing around the bracket and back through the top of the plastic slide. Loop it down through the other end of the slide and pull it tight to secure it. It should look as pictured below.



13. Install your Sparco Seat to your Cagewrx Seat Mount. There are multiple mounting holes to adjust the height and angle of your Sparco Seat. Find the right setting for you and tighten down both sides to secure the seat.



14. Route the nylon webbing under the seat and remove the seat cushion to pull it up and tuck it under the seat cushion for easy access next time you need to remove your seat.



15. Install your Sparco Seat into your Polaris RZR just as you would the factory seat. If installed correctly, your seat should still slide forward and back as well and remove easily when pulling on the webbing that you placed under the seat cushion.